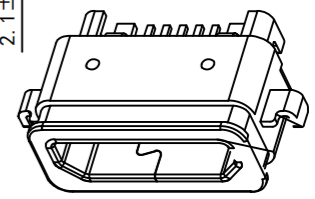
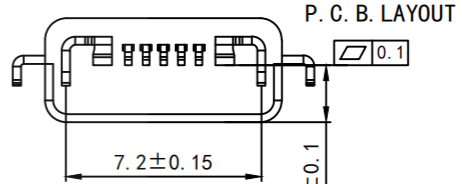
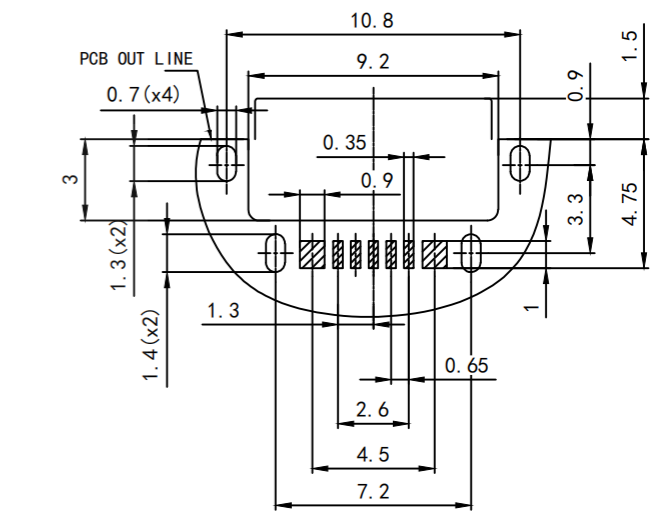
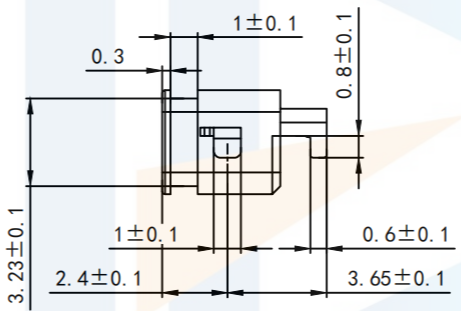
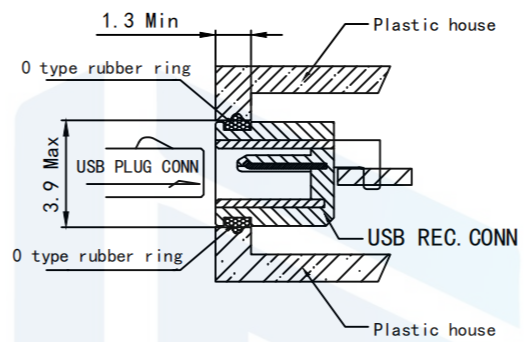
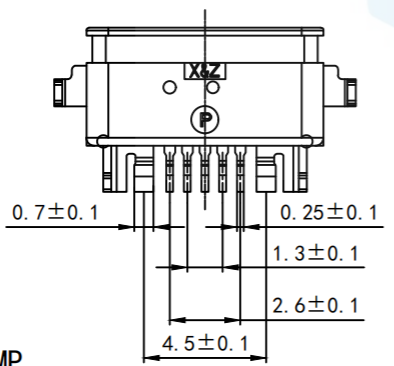
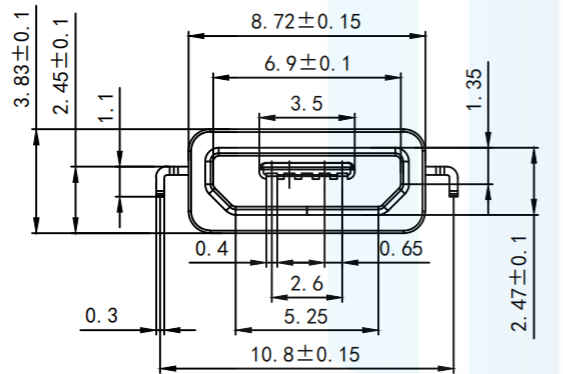
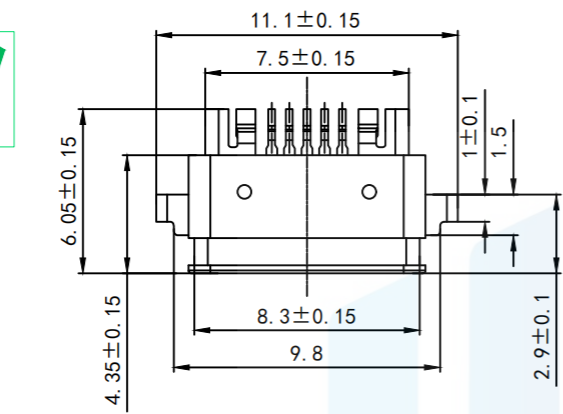
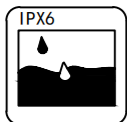


RoHS2.0
Compliant



Specification:

1. Current Rating: 1.0 AMP
2. Voltage Rating: 30V AC, DC
3. Dielectric Strength: 500V AC RMS for 1 minute.
4. Contact Resistance: 30 mΩ Max
5. Insulator Resistance: 500MΩ Min. AT 250V DC
6. Mating/Unmating cycles: 2000cycles
7. Temperature: -20°C to +60°C

TOLERANCE X. XXX ±0.05 X. XX ±0.15 X. X ±0.20 X. ±0.30 ANGLE ±5.0°		东莞市恒祺电子科技有限公司 Dongguan Hengqi Electronic Technology Co., Ltd	
		https://www.hq-dz.com phone: 15812872448	
PROTECTON 	DRAWN:	DATE: 18-10-08	UNIT: mm
	CHECKED:	DATE: 18-10-08	SCALE: FULL
	APPROVED:	DATE: 18-10-08	SIZE: A4

TITLE: Micro 5PIN B型 沉板2.10		PART NO: MICRO05P-CX13FS	
		DRAWING NO: 11.1*6.05*3.23	